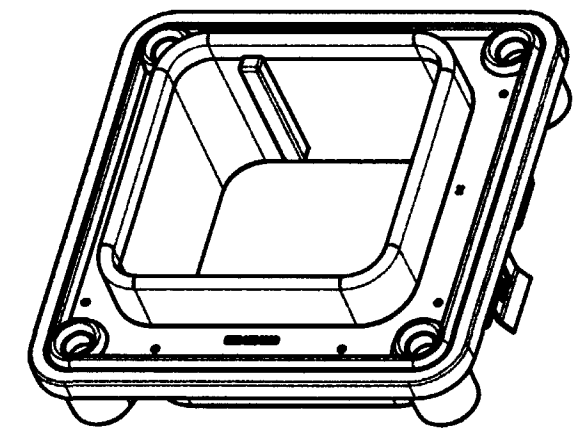
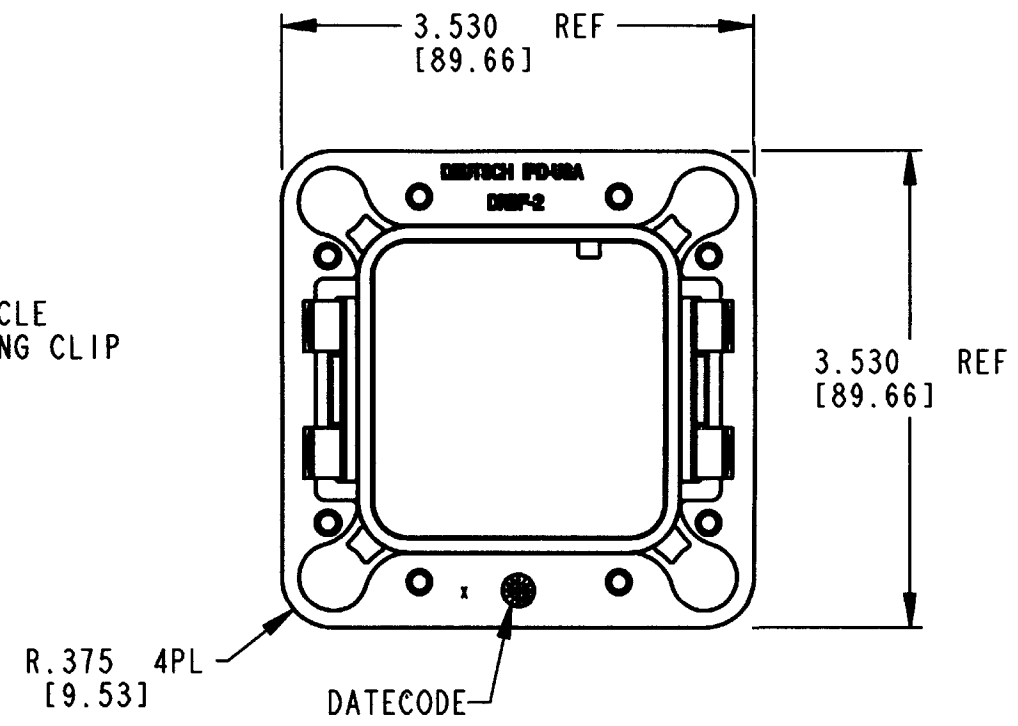
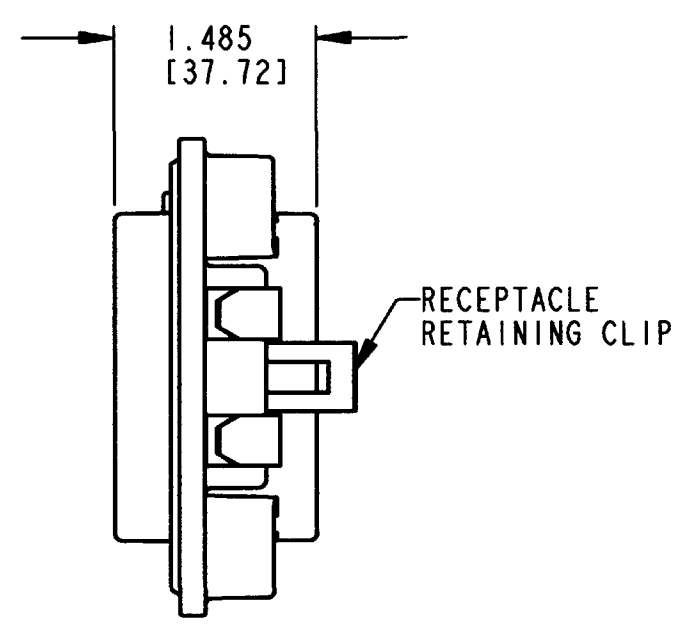
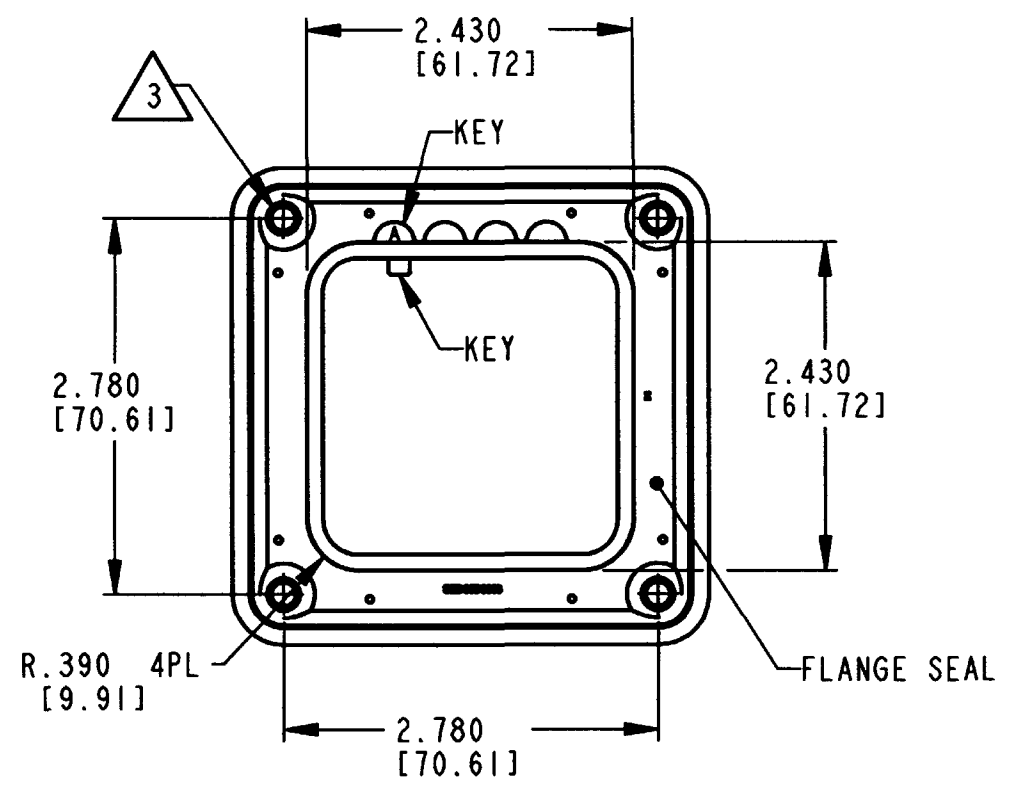


REV
NC **DRBF-2***

REVISIONS			
SYM	DESCRIPTION	DATE	APPROVED
NC	NEW RELEASE PER E.O. P17166	3-5-01	RDR



6. CONSULT FACTORY FOR APPLICATION.
5. SEE SHEET 2 FOR OTHER KEY ARRANGEMENTS.
4. MATERIAL: FLANGE: PLASTIC; SEAL: RUBBER; CLIP: STEEL
3. RECOMMENDED SCREW: 10-14 [M5.28 X 1.81] SINGLE HELIX THREAD
RECOMMENDED TORQUE: 20 +5/-0 IN-LB. [2.26 +0.6/-0 NM] CUSTOMER SUPPLIED.
2. DIMENSION TOLERANCE: ±.025 [.64]; PANEL CUTOUT ±.010 [.25].
1. DIMENSIONS ARE IN INCHES [mm].

NOTES:

SIGNATURE & DATE	
DR	S. PALLUTH 03/02/01
CHK	S. Palluth 3-2-01
PE	S. Palluth 3/2/01
APPD	D. Meyer 3/2/01
SCALE	NONE

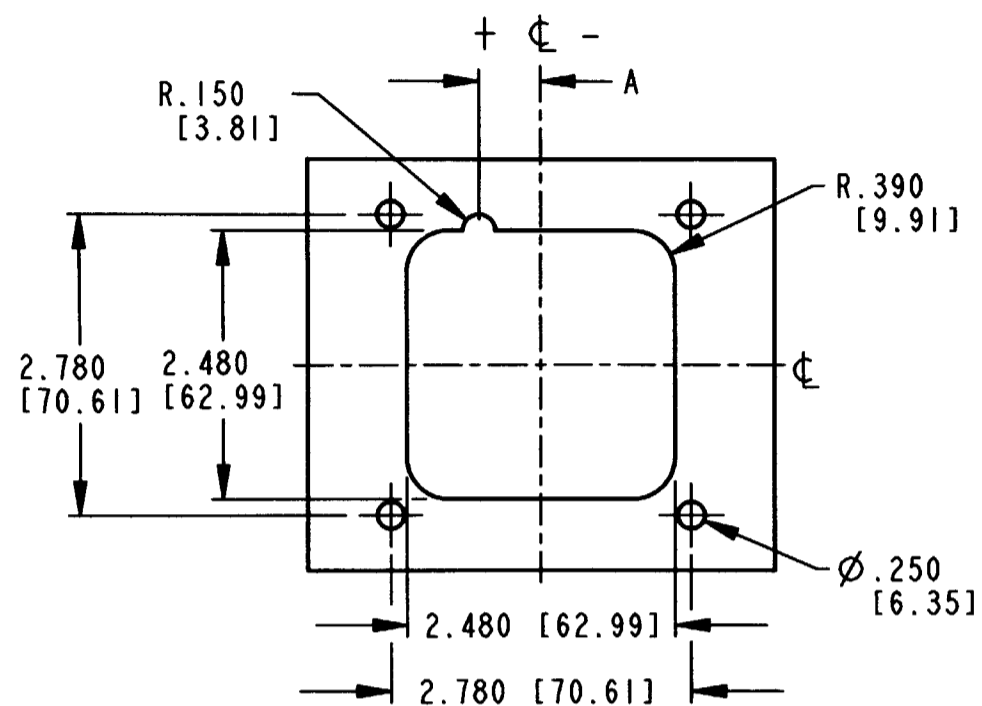
INTERFACE FLANGE
KEY ARRANGEMENTS
A, B, C, & D
COLOR: BLACK
DRB SERIES
ENVELOPE

CP	EP059	MATL. CODE
The Deutsch Company		
DEUTSCH I.P.D. 3850 INDUSTRIAL AVE. HEMET, CALIF. 92545		
B	DRBF-2*	
DWG SIZE	CODE 11139	SHEET 1 OF 2

**RECOMMENDED
PANEL CUTOUT**

THICKNESS .126 [3.20] MAX
(CUTOUT FOR DRBF-2A
SHOWN AS EXAMPLE)

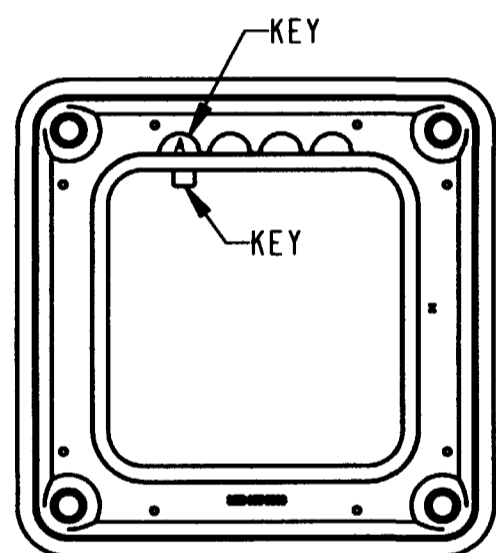
INTERFACE FLANGE P/N	DIMENSION "A"
DRBF-2A	.563 [14.30]
DRBF-2B	.188 [4.78]
DRBF-2C	-.188 [-4.78]
DRBF-2D	-.563 [-14.30]



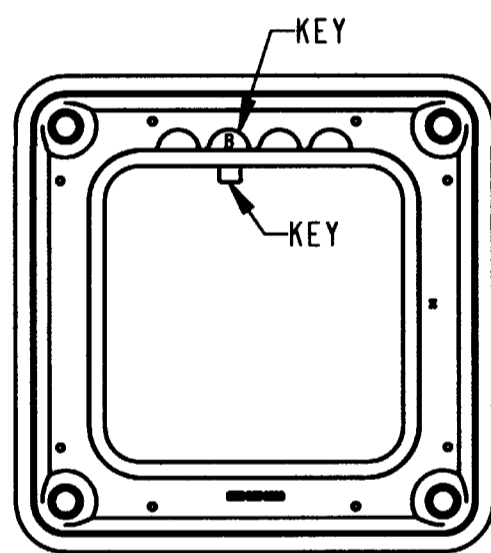
REV NC **DRBF-2***

REVISIONS

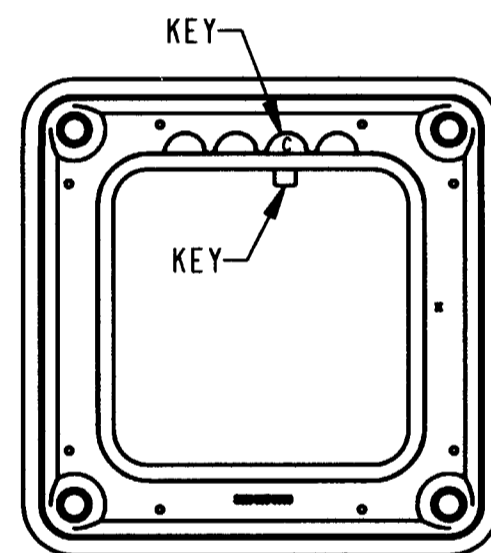
SYM	DESCRIPTION	DATE	APPROVED
	SEE SHEET 1	3-5-01	ADR



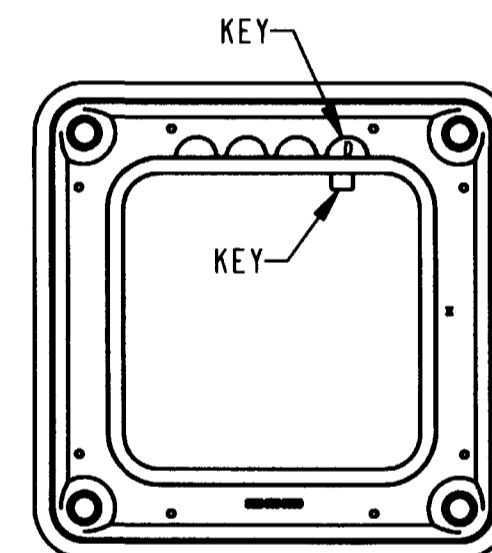
**DRBF-2A
KEY ARRANGEMENT -A-**



**DRBF-2B
KEY ARRANGEMENT -B-**



**DRBF-2C
KEY ARRANGEMENT -C-**



**DRBF-2D
KEY ARRANGEMENT -D-**

NOTES:

SIGNATURE & DATE	
DR	S. PALLUTH 03/02/01
CHK	S. Palluth 3-2-01
PE	S. Palluth 3/2/01
APPD	D. Meyer 3/2/01
SCALE	NONE [W]

INTERFACE FLANGE
KEY ARRANGEMENTS
A, B, C, & D
COLOR: BLACK
DRB SERIES
ENVELOPE

CP	EP059	MATL CODE
The Deutch Company		
DEUTSCH I.P.D. 3850 INDUSTRIAL AVE. HEMET, CALIF. 92545		
B	DRBF-2*	
DWG SIZE	CODE 11139	SHEET 2 OF 2